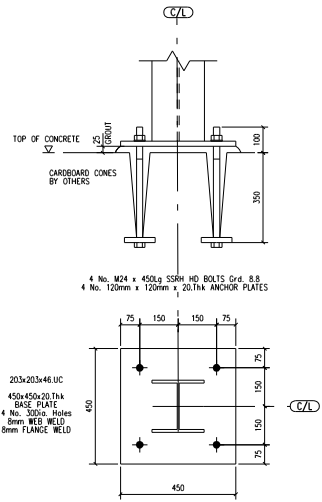
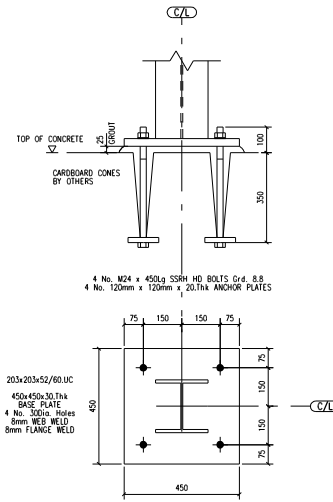


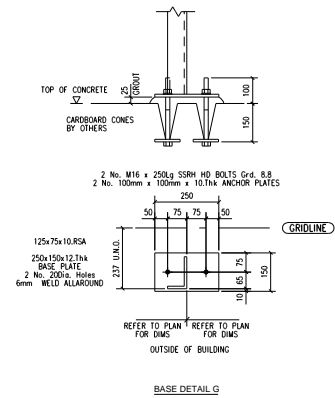
BASE DETAIL A



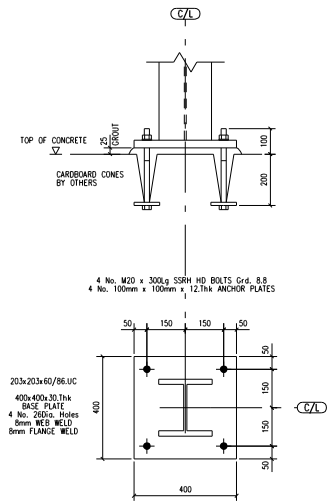
BASE DETAIL B



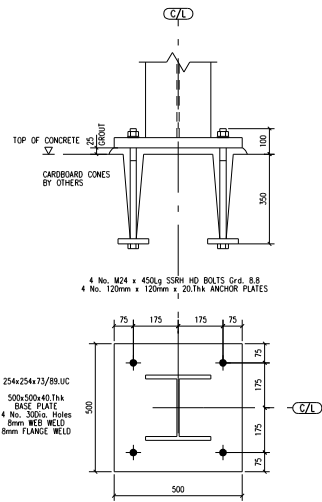
BASE DETAIL C



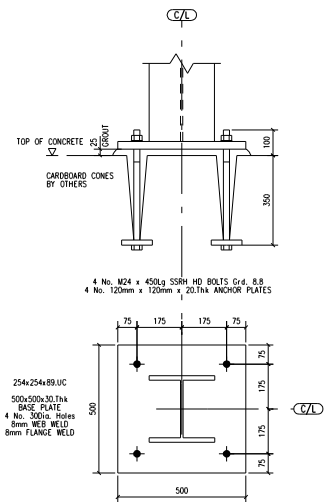
BASE DETAIL G



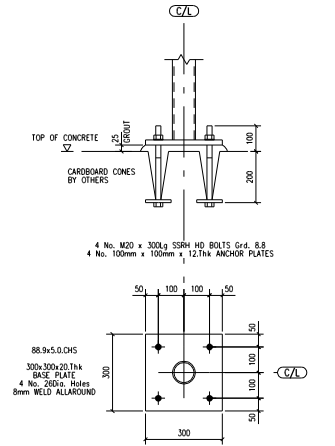
BASE DETAIL D



BASE DETAIL E



BASE DETAIL F



BASE DETAIL H

ALL BASE PLATES GRADE S275JR U.N.O.
SEE COLUMN LAYOUT FOR COLUMN AND
BASE PLATE ORIENTATIONS

ROBINSON	
<small>R. Robinson & Sons (Engineers) Limited Wincanton Close Acad Drive Dorset DT2 8LW</small>	
<small>Telephone 01332 874711 Fax 01332 861461 E-Mail DO@robinson.com Web www.robinson.com</small>	
CLIENT	
Opal Property Group	
Chettles Yard, Nottingham	
TITLE	
Base Details	
PROJECT NAME	
Chettles Yard Block E	
Scale: 1:10	Contract No: 9237
Arrangements by: D.N.	Drawing No: GA002
Checked by: D.N.	Issued on: B
Checked by: R.C.	Project: SHOT BLAST & PRIME
Date: 01.07.2010	
Issue Status	
Construction Issue	